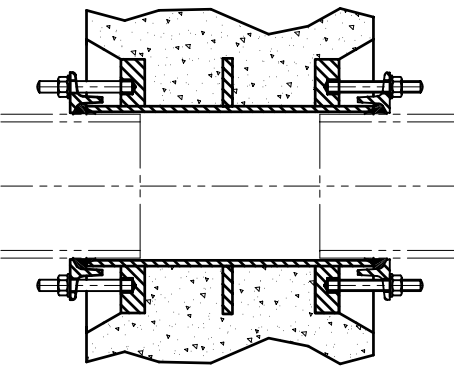
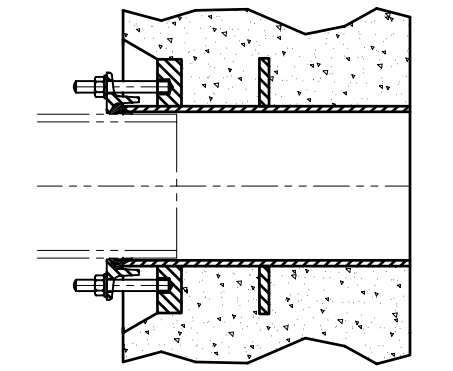
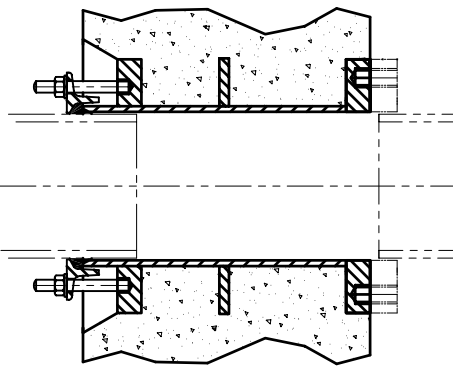
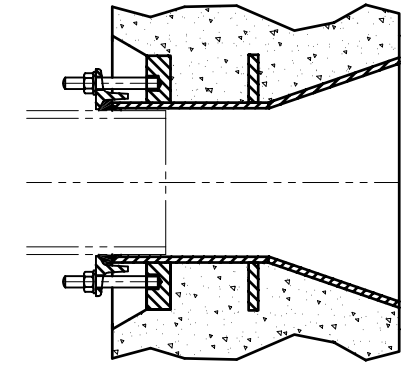
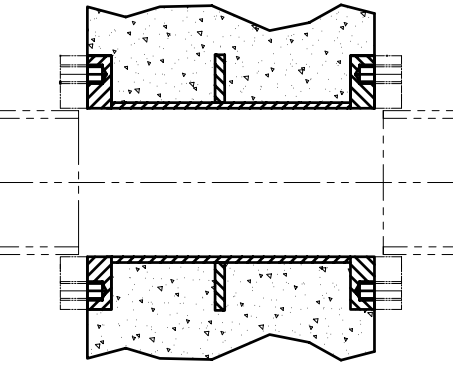
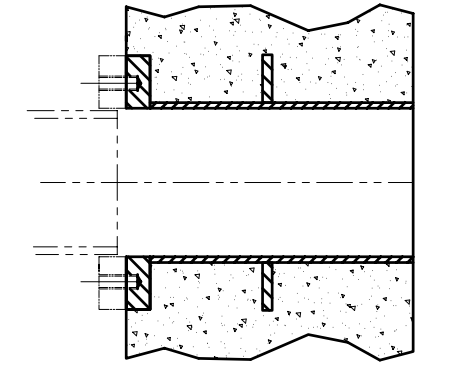
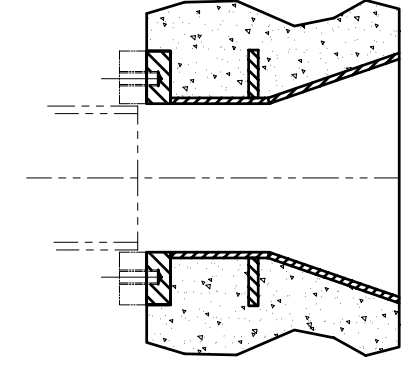
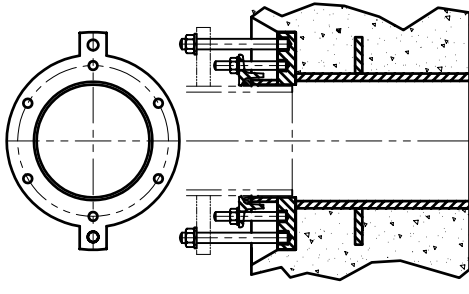
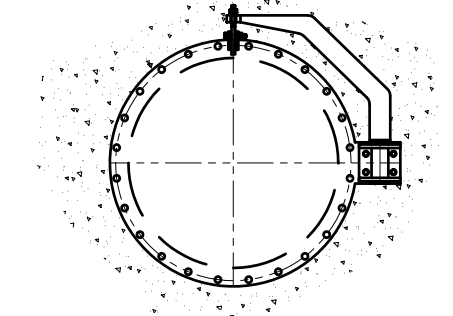
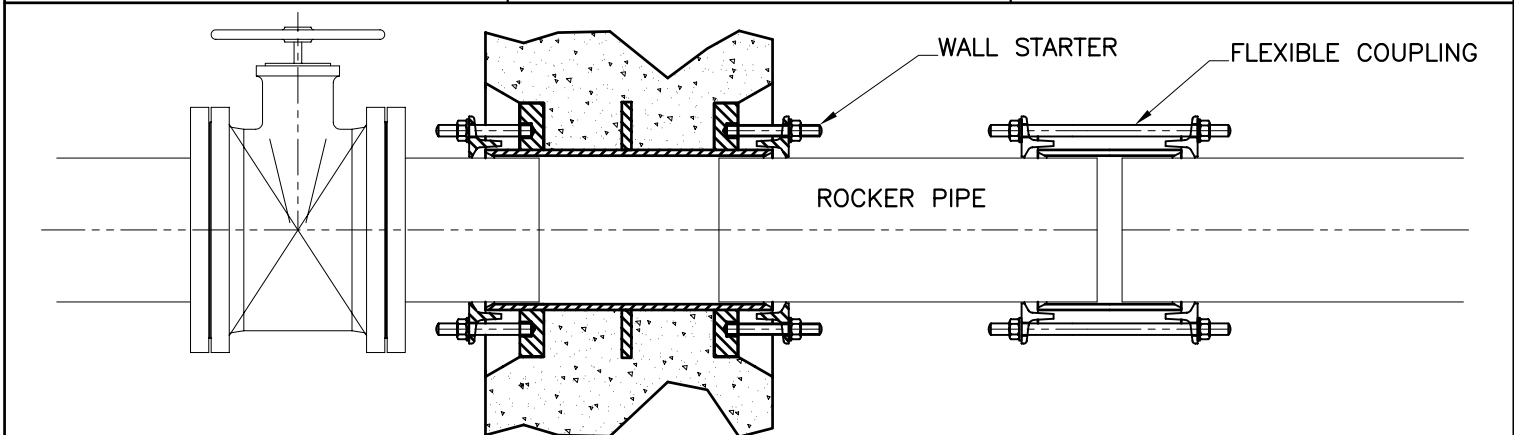


WALL STARTERS (WITH PUDDLE FLANGE)

 <p>COUPLING/COUPLING</p> <p>WS-1</p>	 <p>COUPLING/PLAIN END</p> <p>WS-2</p>	 <p>COUPLING/FLANGE</p> <p>WS-3</p>
 <p>CPLG/BELLMOUTH</p> <p>WS-4</p>	 <p>FLANGE/FLANGE</p> <p>WS-5</p>	 <p>FLANGE/PLAIN END</p> <p>WS-6</p>
 <p>FLANGE/BELLMOUTH</p> <p>WS-7</p>	<p>TYPES 1 2 3 & 4 CAN BE HARNESSSED AS SHOWN OR ON BOTH SIDES</p>  <p>HARNESSING</p> <p>OPTION 'H'</p>	 <p>MANWAY ACCESS</p> <p>MANWAY</p>



TYPICAL WALL STARTER ARRANGEMENT